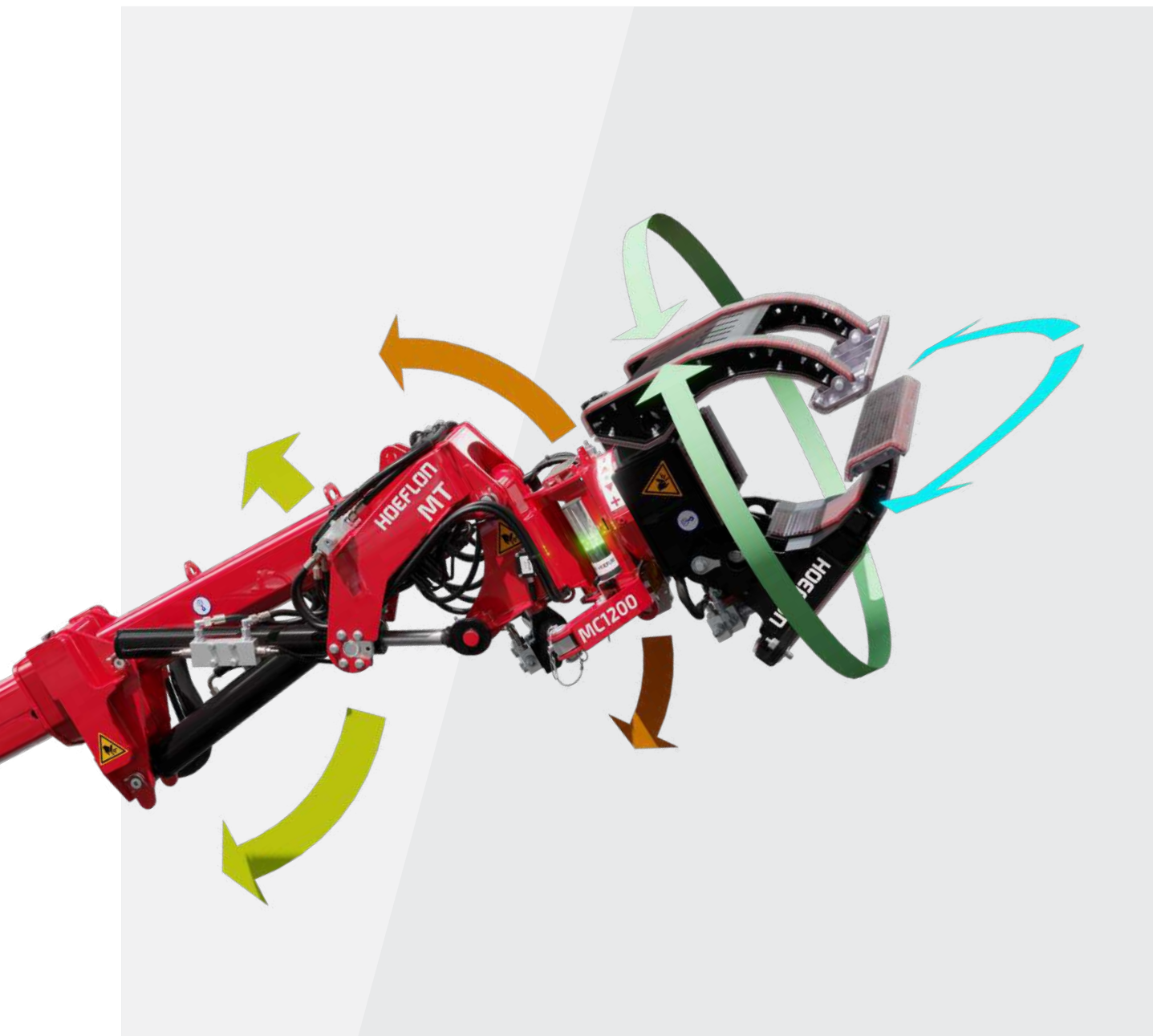


Multitool



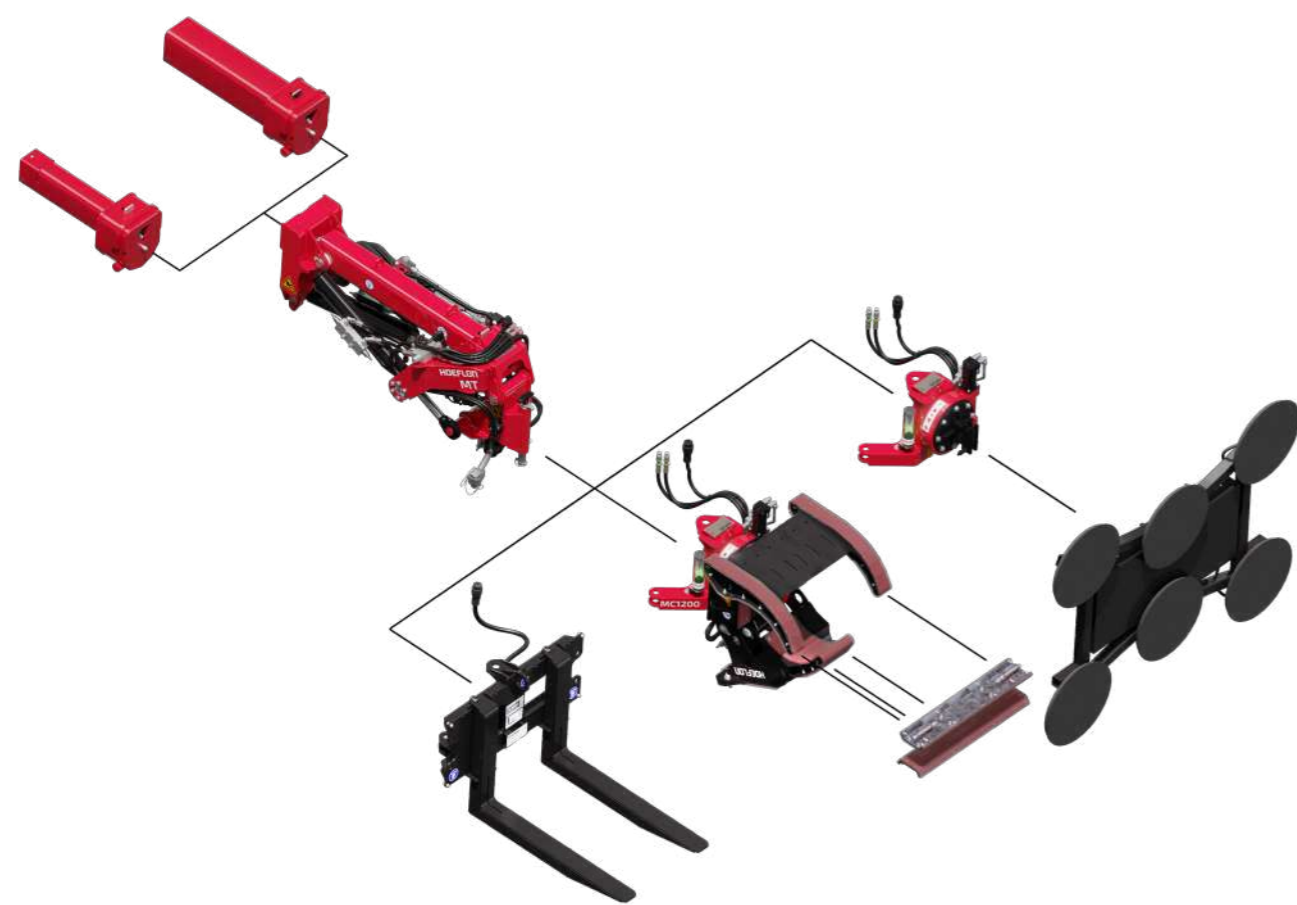
Multitool Specifications

The Multitool is a combination of functions as an extension to the Hoeflon compact cranes. With the Multitool, beams, pipes, sheets of glass and pallets can be put in the right place.

All our products are designed in close cooperation with users from the field. This results in products that are a class apart when it comes to the details and provide the user with every convenience in daily use.

Unique features

- Various attachments
- Compatible with the Hoeflon C6, C10 and C30
- Exceptional rotational axes



General	
Jib	75 kg
Tilt section + swivel section	77 kg
Adapter C6	24 kg
Adapter C10	28 kg
Tilt angle	200 degrees
Swivel angle	-45 to +50 degrees
Angle of rotation	Endless





Multiclaw

There are clamping jaws for clamping and moving beams and pipes and the like. These clamping jaws can lift pipes with a diameter of up to 500 mm.

The beam clamp consists of a narrow jaw with a single clamping element and a wide jaw with a double clamping element. Objects of various shapes can be clamped with these clamping jaws. Removable clamping plates increase the clamping surface area and make it possible to clamp an object parallel to the jaws. Without the clamping plates, it is also possible to clamp a plate or a beam on the outside of the clamping jaw.

Specifications

General	
Weight, Multitool including clamping jaws	340 kg (152 kg + 188 kg)
Weight, clamping jaws	188 kg
Pipe diameter, beam clamp	≤500 mm diameter
Maximum lifting capacity, beam clamp	1250 kg
Lifting capacity, eye	2000 kg
Rotation range	Endless



Multiforks

For lifting and moving pallets, a pallet fork frame can be attached to the Multitool. The long reach of the compact crane allows pallets to be placed in high and difficult-to-reach places.

Specifications

General	
Weight, of pallet fork frame including tines	64 kg
Weight, Multitool including pallet fork frame	216 kg (152 kg + 64 kg)
Maximum lifting capacity	2000 kg
Fork length	800 mm





Multivac

The Multivac is a vacuum lifter for placement and movement of medium- to large-sized, flat, non-porous sheets of glass. A matching vacuum lifter can be ordered separately. The Multivac is attached to the Multitool via an adapter. This assembly has the same freedom of movement as the beam clamp.

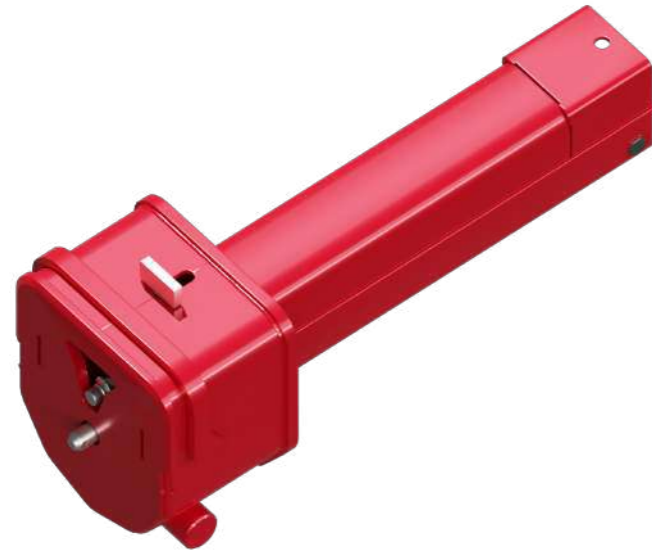
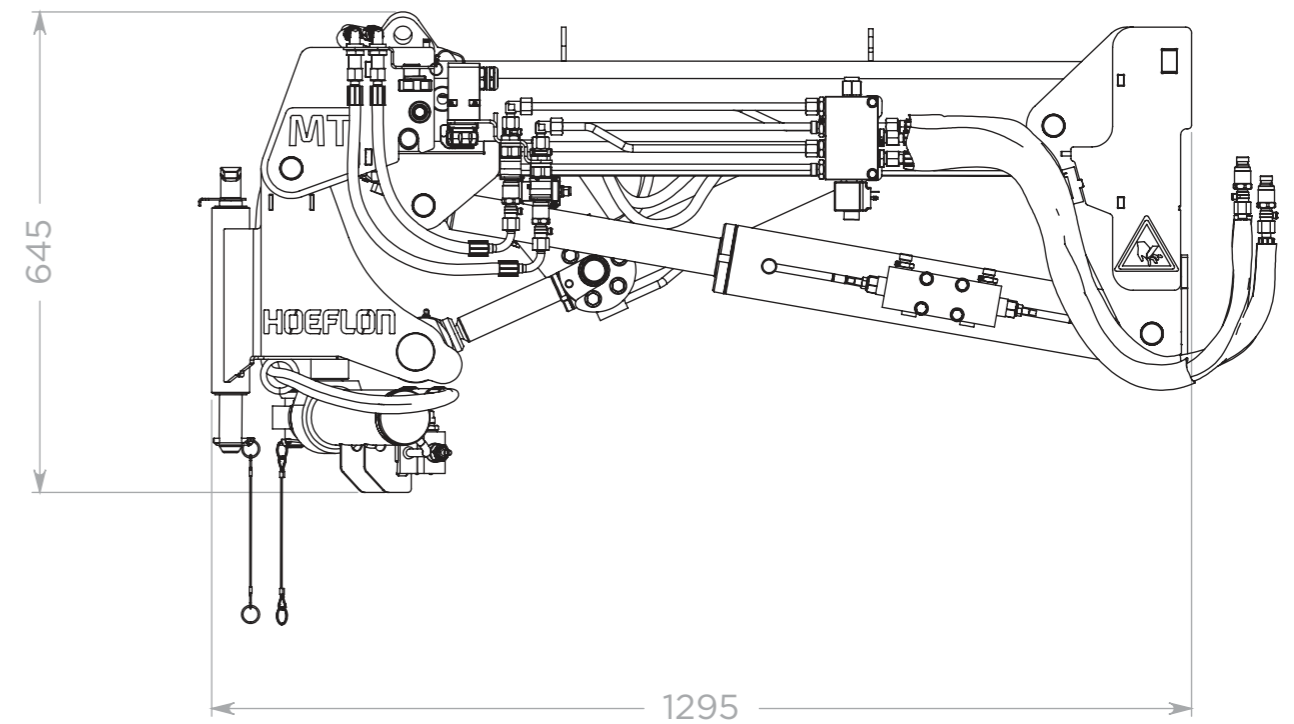
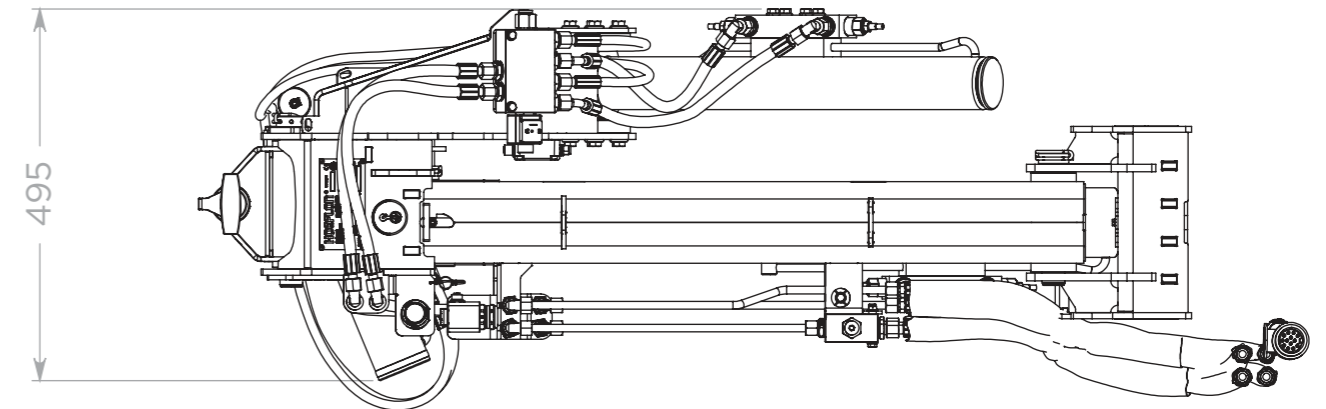
Specifications

General	
Weight, Multitool including vacuum lifter	198 kg (152 + 46 kg)
Weight of machine	85 to 110 kg
Maximum lifting capacity	1000 kg
Lifting capacity, eye	2000 kg
Rotation range	Endless
Type of vacuum lifter	S600, S800, S1000



Multitool Specifications**Adapters**

The Multitool has a C30 coupling as standard. An adapter is required for the C6 and C10 compact cranes. This adapter is inserted into the boom of the compact crane.

Adapter C6**Adapter C10****Dimensions**

Contact with Hoeflon

Hoeflon machines are functional and offer optimal power and reliability.
We offer many possibilities and help you come up with solutions.



Hoeflon International B.V.

Zwolleweg 2

3771 NR Barneveld, NL

T +31 (0)342 400288

sales@hoeflon.com

KVK 66408962

BIC ABNANL2 A

BTW NL856539806B01

IBAN NL96ABNA0457114533

www.hoeflon.com