

**HOEFLON®**

**C30e**



100%  
electric

**Hoeflon. Good job.**

## Key specs

- Net weight 8700 kg
- Fully electric powered
- Maximum capacity with minimum weight
- Flexible outrigger system
- Removable counterweight
- Pick & carry (cap. 3000 kg)

## Silent power

**Hoefflon customers cite the C30e's high capacity as an absolute plus. This crane is the most powerful compact crane in its class.**

The C30e operates silently. Communicating alongside a running machine is effortless.



# CO<sub>2</sub> neutral! 100% electric

**The Hoeflon C30e is a fully electric mini-crane. That means CO<sub>2</sub> neutrality when you work with this machine. In more and more places, this is a firm requirement.**

A minicrane is ideally suited for all-electric operation, because a minicrane is often used inside or near a building where electric power is available.

## Construction

We use LiFePO<sub>4</sub> battery technology. This composition has many advantages, especially when it comes to safety compared to other Li-ion batteries. The LiFePO<sub>4</sub> battery cells cannot ignite or explode during charging/discharging. The battery has a long service life and can be charged and discharged frequently with minimal performance degradation. The composition is environmentally friendly, and high and low temperatures hardly affect the battery cell.



## Information about the electric crane

At a 60% duty cycle, you can run the crane for eight hours. At lower temperatures the capacity of the battery decreases and you need to recharge it more quickly. The crane is fully charged again in six hours.



230 V



400 V

capacity  
of up to  
8 hours



- ✓ Charge with a generator (at least 3 kW)
- ✓ The C30e has three possible charging rates
- ✓ Total battery capacity is 25 kWh

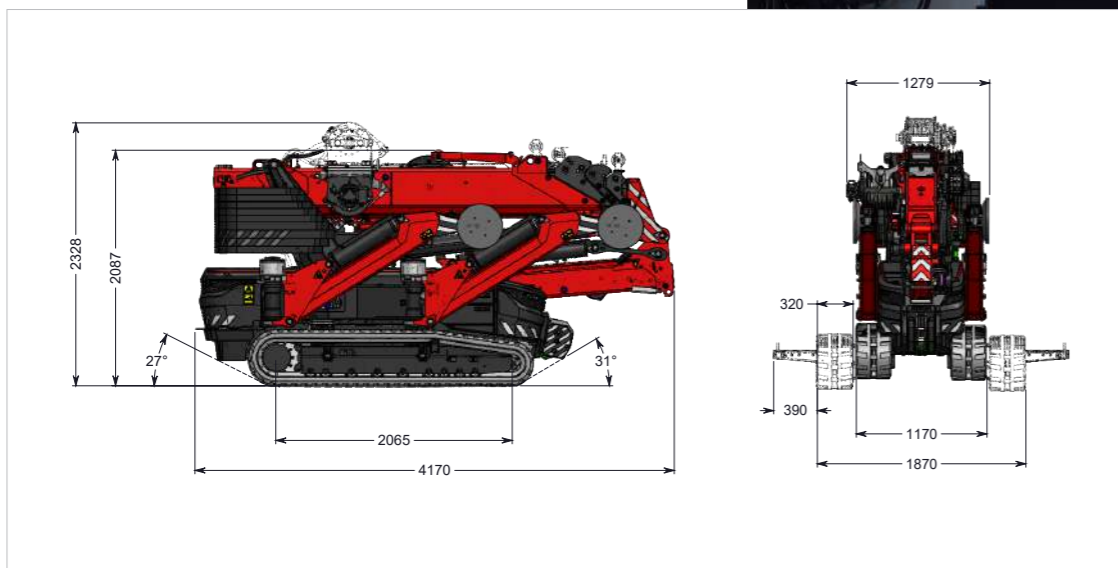
- You can work and charge at the same time. The mini-crane recharges faster than it discharges.
- At low temperatures the battery warms itself up to 0 °C, at which point it starts to charge.
- The C30e can be used at temperatures of -10 to +40 °C.
- The battery's state of charge is shown on the machine.
- Recharging is possible with 230 V and 400 V.

On the move

# From A to B with the Hoeflon C30e

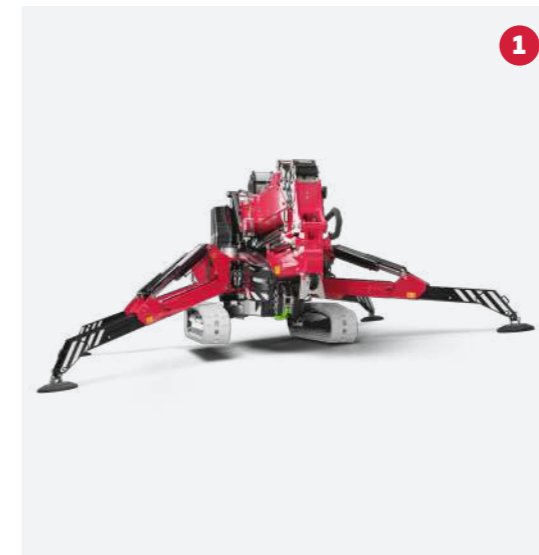
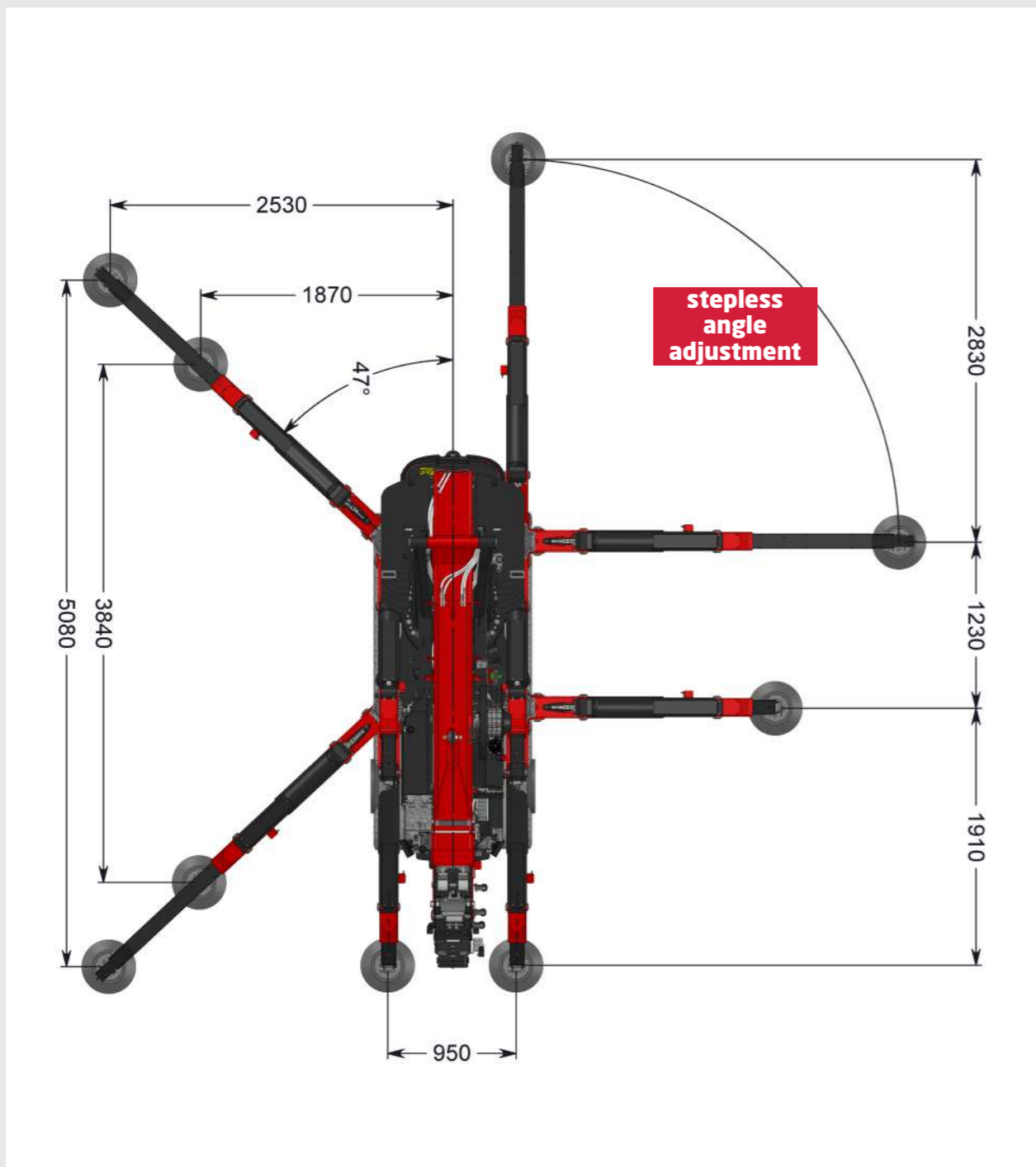
Large powerhouse. With a net weight of 8700 kg, the C30e can definitely be called that. The crane can be transported with a commercial van. The C30e gets the maximum capacity out of a 9-tonne mini-crane.

The C30e's compact size allows it to easily squeeze through tight spots. The crane is only 1.2 m wide and has a height that can be reduced to 2.2 m. That means narrow passages are no problem at all. Whether you need to replace a large tank or are placing a complete production line in a factory, the C30e does it all.

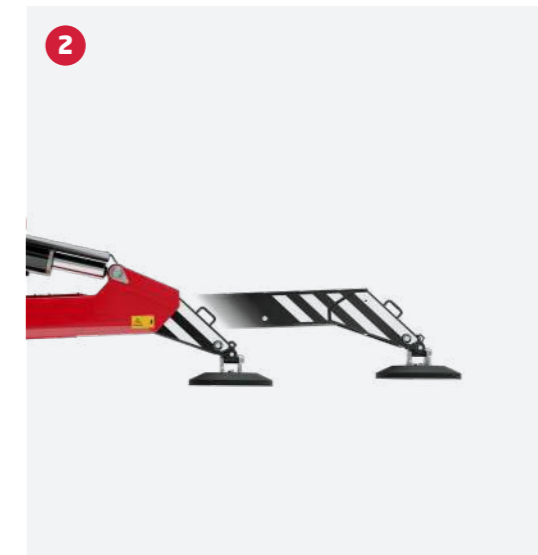


## Technical specifications

# Positioning



**1 Automatic levelling**  
The crane has an automatic levelling system. At the touch of a button, the crane is level.



**2 Hydraulically extendable legs**  
The C30e's legs are hydraulically extendable. So you can attain the maximum capacity in any situation.

**3 Continuously adjustable legs**  
The C30e's legs are continuously adjustable. This means you can always place the outriggers in the optimum position to set up the crane perfectly in any workplace.

**4 Folding legs**  
The C30e has folding legs. Normally, the leg is low to the ground so it can extend under obstacles. When placing the outriggers over an obstacle, pull out the folding leg. The folding leg also comes in handy on uneven terrain. This enables you to compensate for a height difference of up to 1.6 m.



At work

# Lifting and hoisting

**Jib 3**

The jib weighs 575 kg and has a maximum capacity of 3000 kg. The maximum length is 7.5 m. The range of the jib is +15° to -90°.

**Jib 5**

The Jib 5 weighs 500 kg and has a maximum capacity of 5000 kg, and 8000 kg at the fixed point. The maximum length is 2.84 m. The jib can be hydraulically adjusted from +15° to -90°. The jib can be extended with a lifting adapter and a winch set.

**Jib 9**

This jib weighs 102 kg and has a maximum capacity of 9000 kg. The length of the jib is 1.2 m. The jib can be manually adjusted from +45° to -90°. The jib is prepared for optional installation of a winch.

**Adjustable section with manual jib extension**

The adjustable section with manual jib extension is used on the jib. This adjustable section has a capacity of 3000 kg. It can also be used as a jib extension. The manual jib extension is used for placing glass. This is done extremely gently thanks to the rubber head. The net weight of the adjustable section with manual jib extension is 17 kg.

**Winch cable**

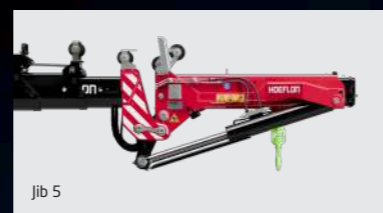
There is a winch option for the C30e. The 1600 kg winch with 90 m cable is standard. A maximum capacity of 6400 kg can be achieved with reeving. The average winch speed is 20 m per minute. The winch is on the main boom and pivots over to the side.

**Chain locking system**

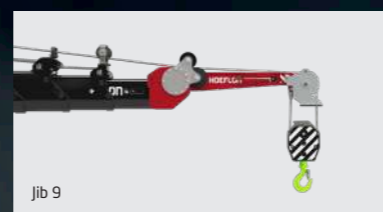
By activating the chain locking system on the jib the maximum lifting capacity of 3000 kg can be utilized in all positions. With the chain locking system on the boom the maximum lifting capacity of 9000 kg can be utilized.



Jib 3



Jib 5



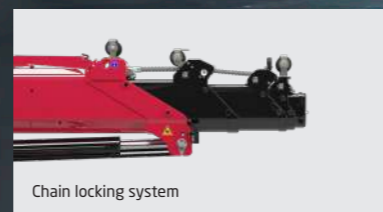
Jib 9



Adjustable section with manual jib extension



Winch cable



Chain locking system



### Head dimensions

The C30e has a compact head. This makes it possible to work in confined spaces.



### Lifting point

The crane has six lifting points for lifting the crane in the transport position. The crane can be lifted with a four-leg sling and a two-leg sling.

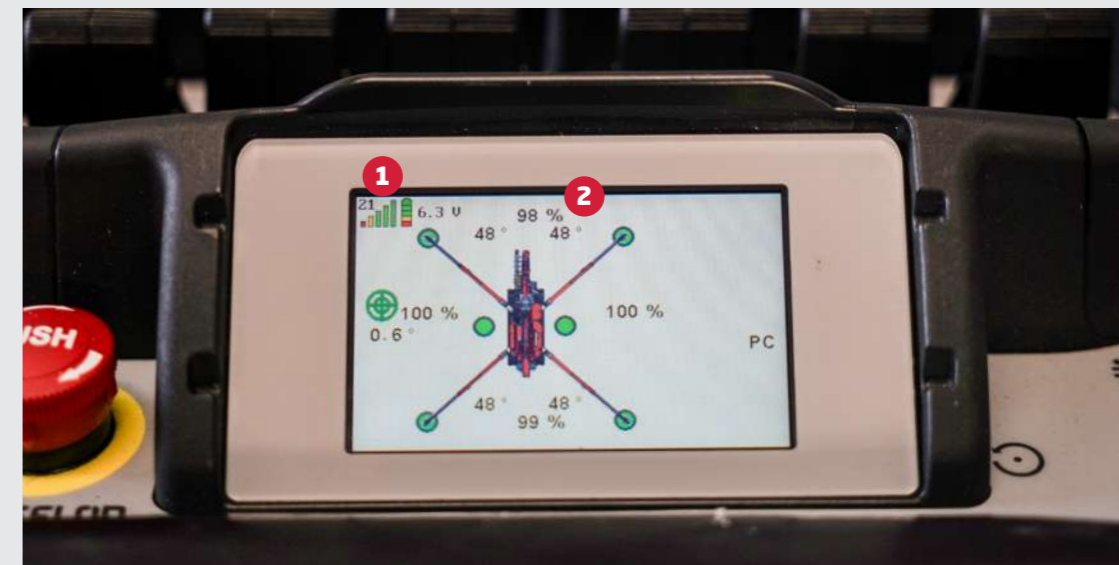


### Work lights

The C30e has eight work lights as standard.

### Attachments

There is room on the side of the main boom to hang the winch head, adjustable section and manual jib extension.



### Remote control

- 1 Frequency of the crane.
- 2 Position of outriggers and capacity of the crane.
- 3 Remote control battery state of charge.
- 4 Height and outreach of the crane.
- 5 Weight hanging from the machine and the maximum capacity of the crane.
- 6 Load as percentage of crane capacity.



### Winch weight

The winch weight hangs at the front of the machine. The winch weight has two configurations: a compact 24 kg part and a heavier part for reeved condition with a total weight of 90 kg.

### Operation

The lightweight remote has six paddle switches that provide very responsive control. The remote control can be used with either a neck or hip belt. A second battery for the control is located on the side of the crane. This is recharged while you work.



### Retractable/extendable counterweight

The counterweight is hydraulically extendable and retractable. The capacity of the crane increases as the counterweight is extended. The crane automatically knows how far the counterweight is extended.



### Removable counterweight

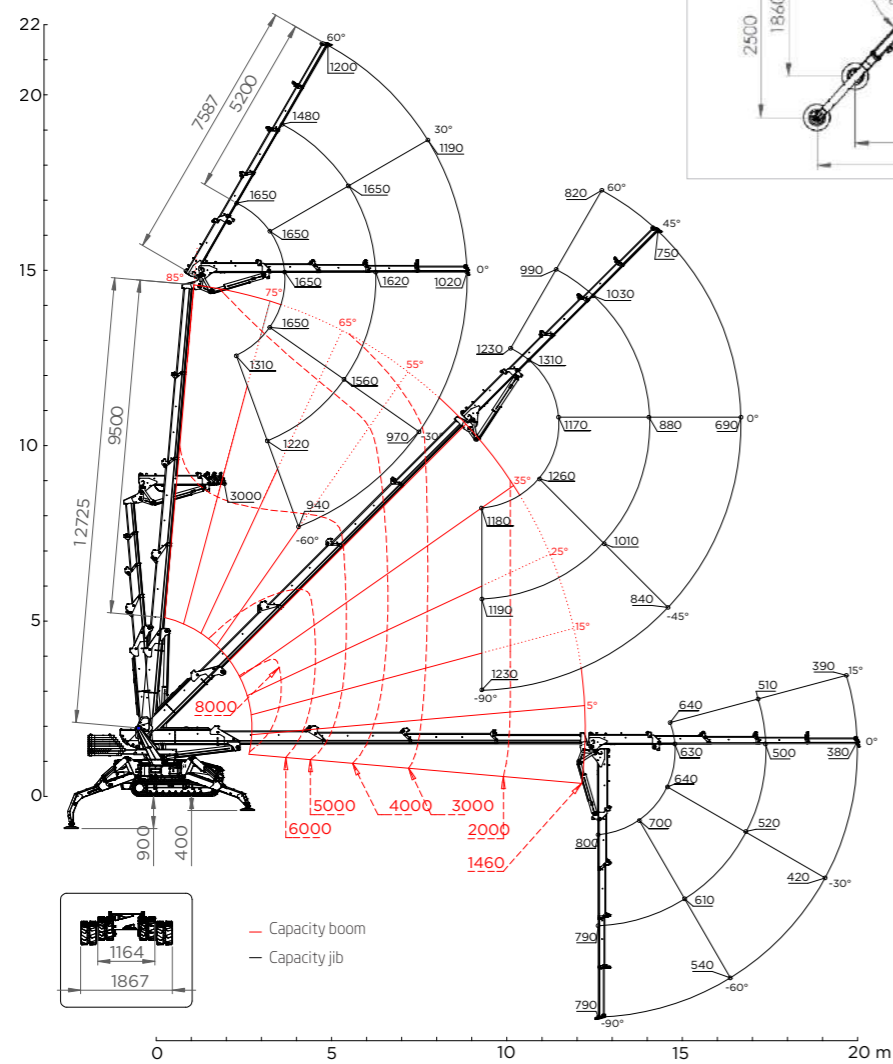
The C30e's counterweight is removable. This makes it possible to reduce the weight of the crane by 2350 kg. By also removing the jib, it is possible to reduce the crane's net weight to 5775 kg.



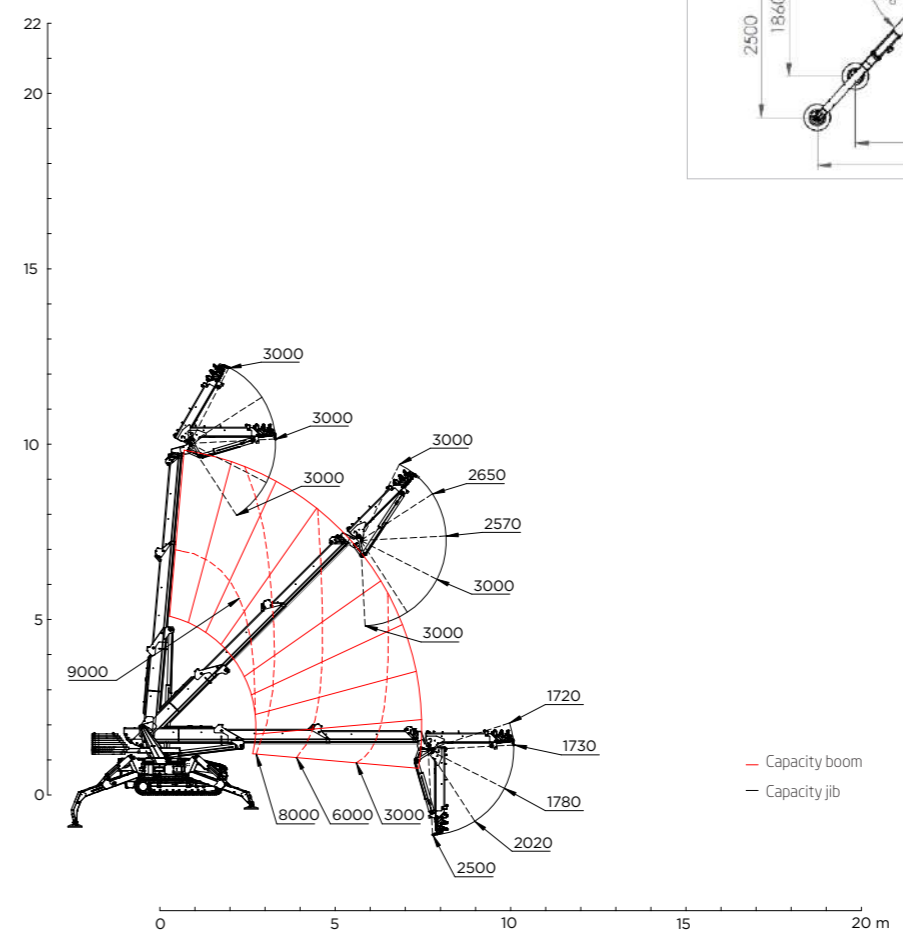
# Technical specifications

## Load charts

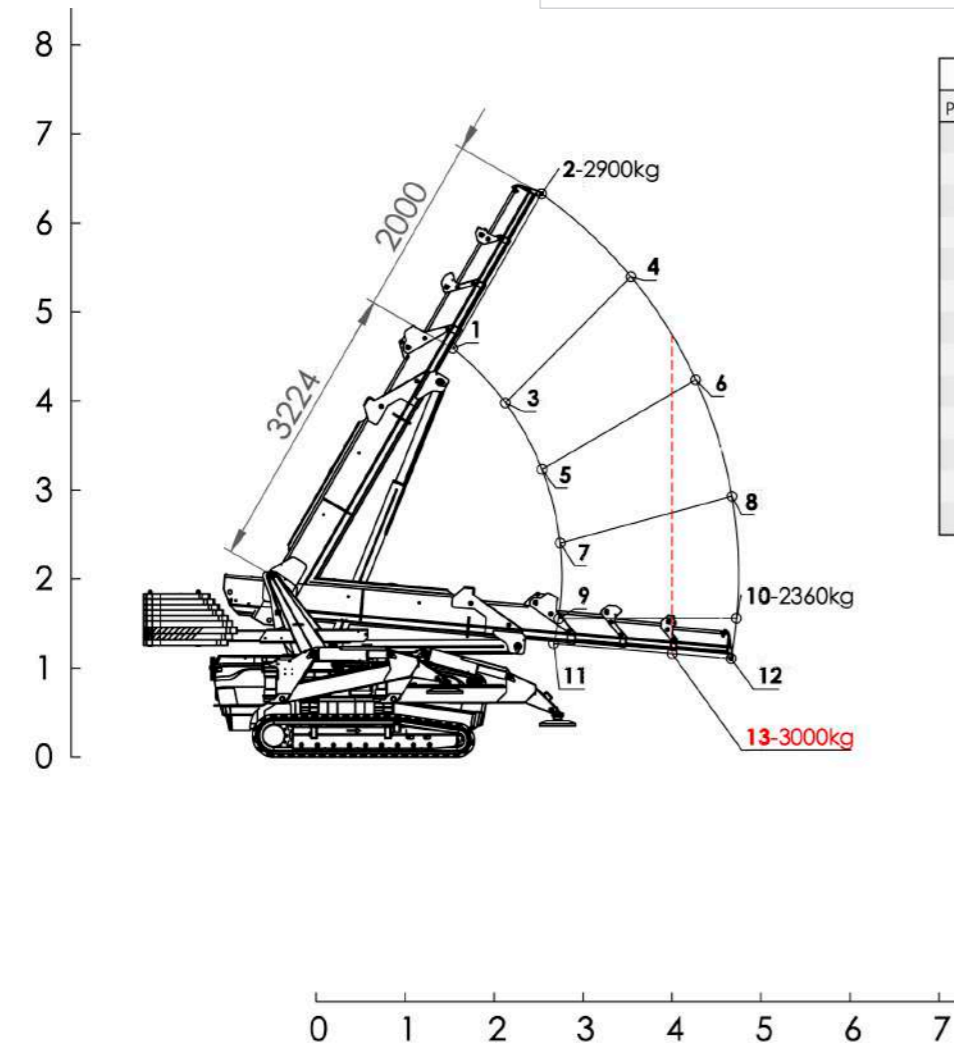
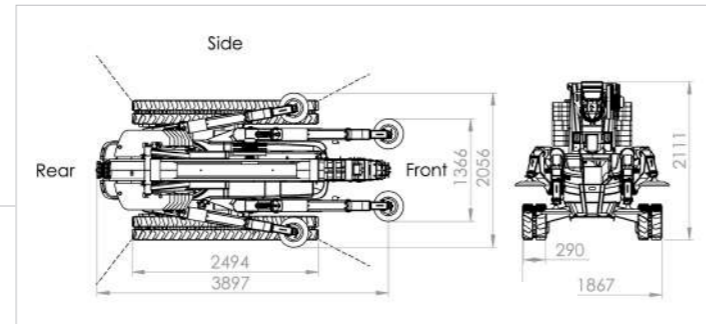
Standard with jib



With chain locking system engaged

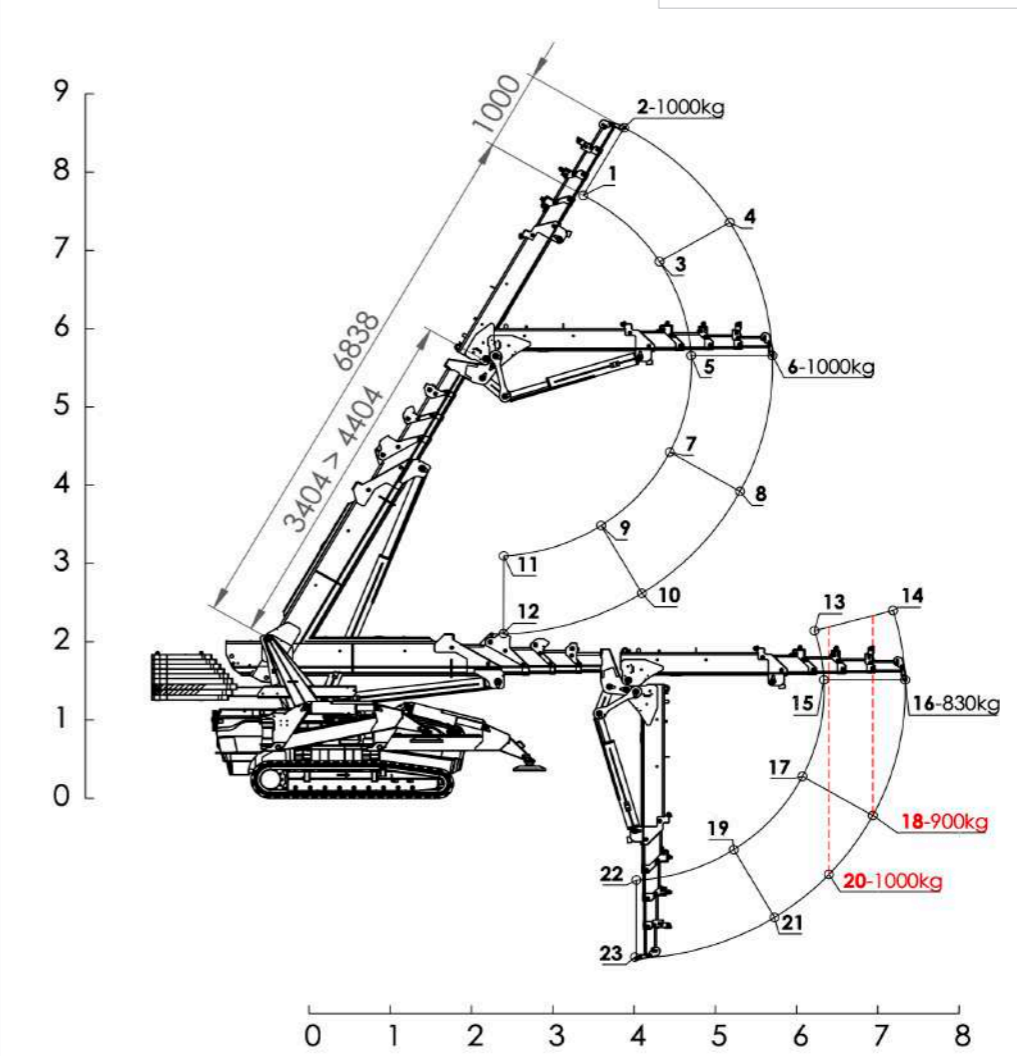
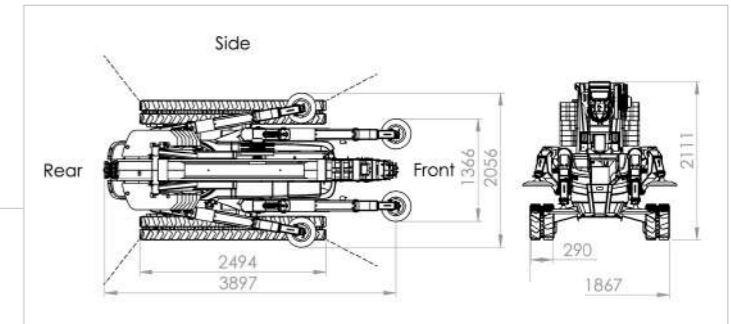


Pick & carry on the boom

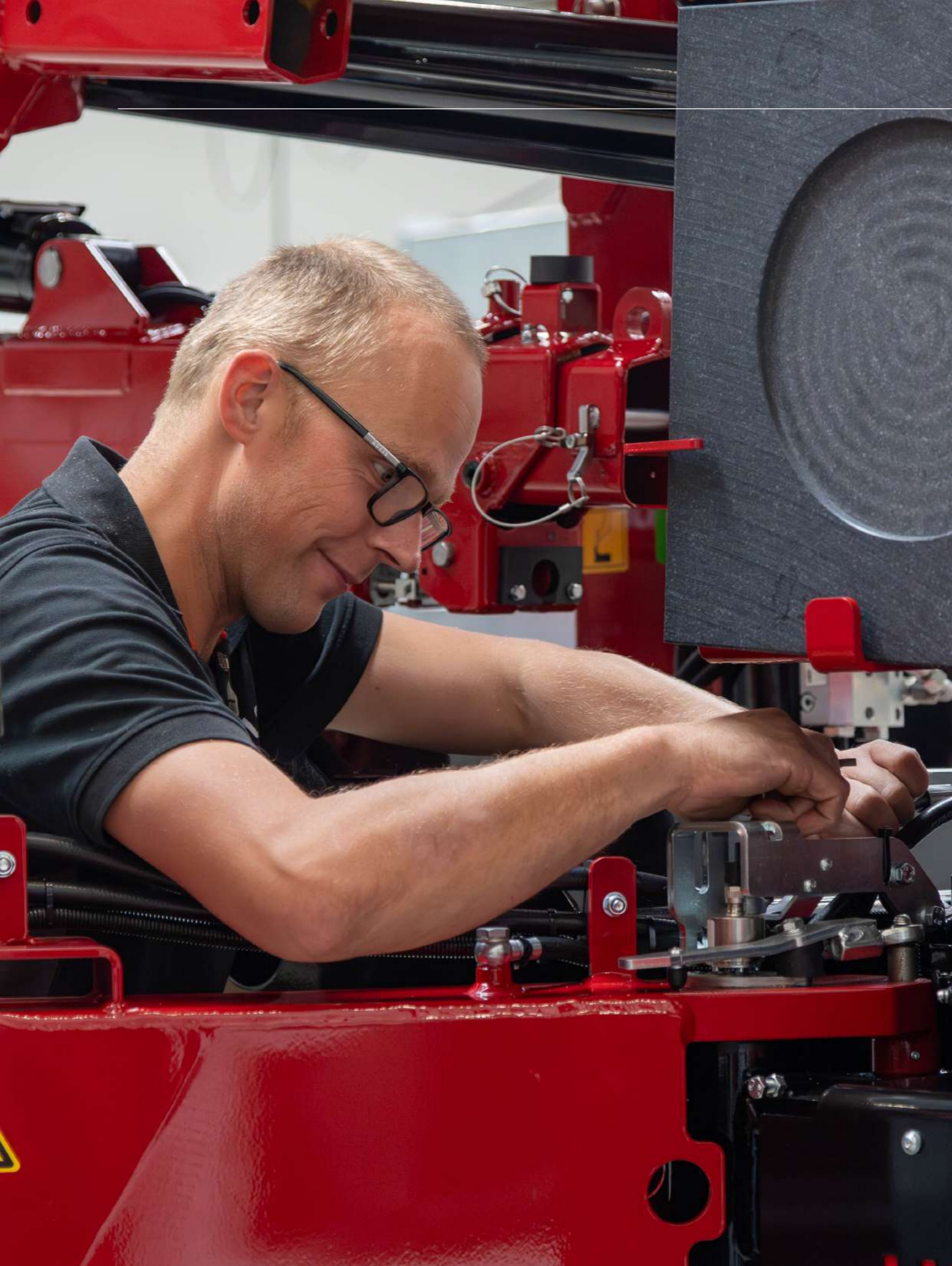


LOAD BOOM [kg]			
Position	Front	Side	Rear
1	3000	3000	3000
2	2900	3000	1780
3	3000	3000	2230
4	3000	1830	1070
5	3000	3000	1700
6	2730	1360	800
7	3000	2660	1510
8	2340	1180	690
9	3000	2690	1520
10	2310	1170	680
11	3000	2780	1580
12	2360	1190	700
13	3000	1480	870

Pick & carry on the jib

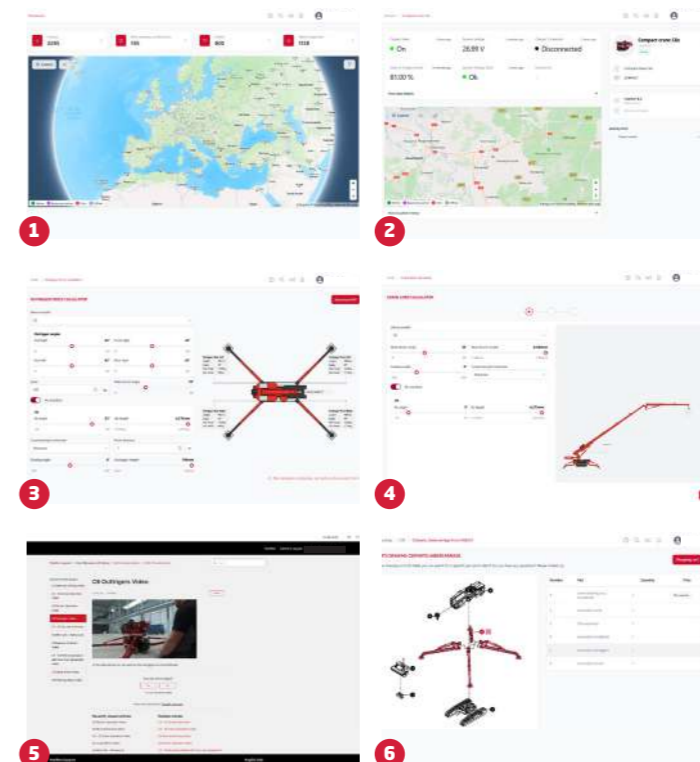


LOAD FLYJIB [kg]			
Position	Front	Side	Rear
1	1000	1000	300
2	1000	1000	250
3	1000	860	190
4	1000	680	140
5	1000	740	150
6	1000	580	110
7	1000	790	150
8	1000	630	110
9	1000	1000	210
10	1000	880	170
11	1000	1000	410
12	1000	1000	410
13	1000	320	0
14	860	260	0
15	1000	310	0
16	830	250	0
17	1000	320	0
18	900	270	0
19	1000	400	0
20	1000	300	0
21	1000	350	0
22	1000	590	0
23	1000	590	0



## Hoeflon and service **Solution guaranteed!**

Hoeflon stands for quality. In the unlikely event of a problem, we will solve it! Service is of paramount importance. The primary objective is ensuring that the crane is back in service as quickly as possible. Local service shops, service vans and trained service technicians are present in all markets that Hoeflon serves. This is your guarantee that you will be back to work in no time!



### Hoeflink

- 1 Remote support
- 2 Up to four weeks of history available for review
- 3 Outrigger force calculator
- 4 Load calculator
- 5 Access to the Hoeflon support database with explanatory videos, user manuals and more
- 6 Parts webshop, exploded view

Interested?

**Then watch a demo  
at one of our dealers!**



**Hoeflon dealers**

Hoeflon is represented on all continents. This means you have a personal point of contact. You can always reach out to them for purchase and service. Communication is always in your own language.

**Call one of our dealers for more information on the C30e, or one of the other Hoeflon cranes. You can also make an appointment for a comprehensive demo.**

**We look forward to your visit!**



# C30e The large powerhouse!

**Hoeflon International B.V.**

Zwolleweg 2

3771 NR Barneveld, NL

T +31 342 400288

[sales@hoeflon.com](mailto:sales@hoeflon.com)

KVK 66408962

BIC ABNANL2A

BTW NL856539806B01

IBAN NL96ABNA0457114533

[www.hoeflon.com](http://www.hoeflon.com)